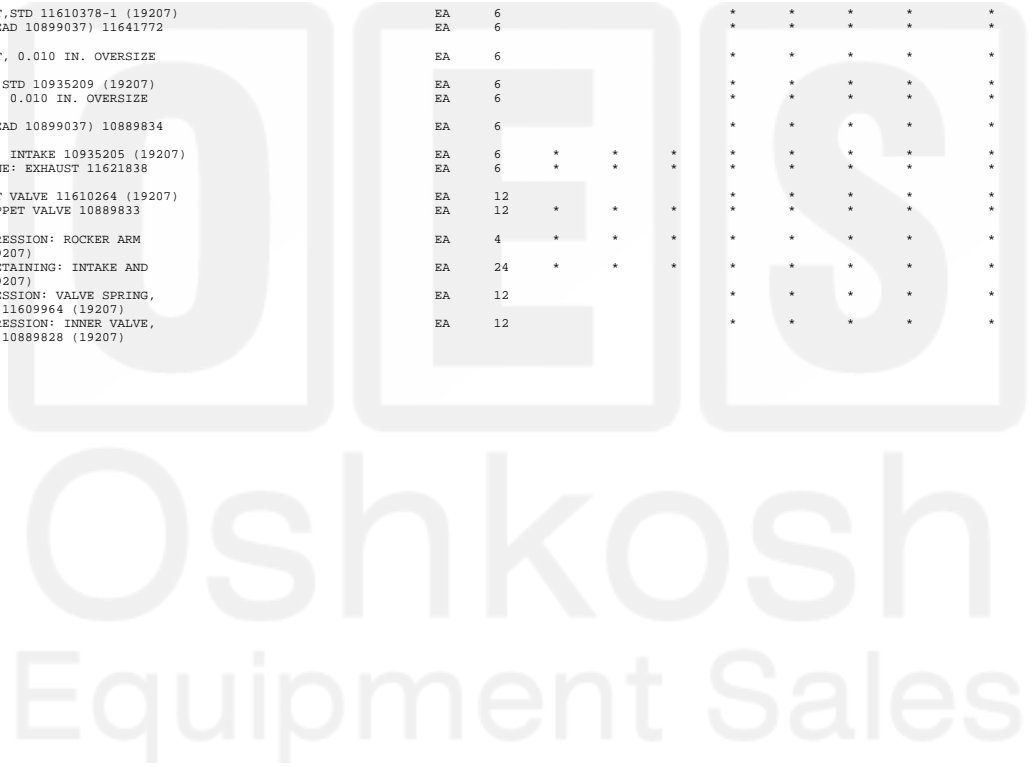


Current part is item (7) on diagram. Available at www.oshkoshequipment.com

(1) SMR Code	(2) Federal Stock Number	DESCRIPTION	UNIT of meas	(4) Qty inc. in Unit	30-day DS maint allowance			30-day GS maint allowance			1-yr alw per 100 equip cnt- gcy	Depot maint alw per 100 equip	Illustration	
					(a) 1-20	(b) 21-50	(c) 51-100	(a) 1-20	(b) 21-50	(c) 51-100			(a) Figure No.	(b) Item No.
		Reference Number & Mfr. Code												
PAFZZ	2815-403-0934	COVER, ACCESS: TAPPET CHAMBER 10889941 (19207)	EA	1	*	*	*	*	*	*	*	*	6	32
PAFZZ	5330-056-0194	GASKET: TAPPET COVER MTG 10889940 (19207)	EA	1	*	*	*	*	*	*	*	*	6	33
PAHZZ	5340-054-1417	PLUG, EXPANSION: REAR CAMSHAFT BEARING 541417 (21450)	EA	1	*	*	*	*	*	*	*	*	6	34
PAFZZ	5310-081-4219	WASHER, FLAT: COVERS MTG MS27183-12 (96906)	EA	16	*	*	*	*	*	*	*	*	7	1
PAFZZ	5306-081-9812	BOLT, SELF-LOCKING: COVERS MTG 10912494 (19207)	EA	14	*	*	*	*	*	*	*	*	7	2
PAFZZ	2815-937-7835	COVER ASSEMBLY,ROCKER ARM: 10951263 (19207)	EA	1	*	*	*	*	*	*	*	*	7	3
XAFZZ		COVER: CYLINDER HEAD 10951263-1 (19207)	EA	1	*	*	*	*	*	*	*	*	7	4
PBOZZ	2815-179-3601	BRACKET, OIL FILLER: 10896326 (19207)	EA	2	*	*	*	*	*	*	*	*	7	5
PAFZZ	2815-933-9519	COVER ASSEMBLY, CYLINDER HEAD: FRONT 10951262 (19207)	EA	1	*	*	*	*	*	*	*	*	7	6
XAFZZ		COVER: CYLINDER HEAD 10951262-1 (19207)	EA	1	*	*	*	*	*	*	*	*	7	7
PAHZZ	2815-808-7374	GUIDE, ENGINE POPPET VALVE: 11610335 (19207)	EA	12	*	*	*	*	*	*	*	*	7	8
PAFZZ	5307-904-5675	STUD, PLAIN: CYLINDER HEAD COVER MTG 10899073-5 (19207)	EA	2	*	*	*	*	*	*	*	*	7	9
PAHZZ		SEAT, VALVE: HEXHAUST, STD 11610378-1 (19207)	EA	6	*	*	*	*	*	*	*	*	7	10
PAHZZ	2815-808-7373	SEAT, VALVE: (U/W HEAD 10899037) 11641772 (19207)	EA	6	*	*	*	*	*	*	*	*	7	10
PAHZZ	2815-492-8127	SEAT, VALVE: EXHAUST, 0.010 IN. OVERSIZE 11610378-2 (19207)	EA	6	*	*	*	*	*	*	*	*	7	10
PAHZZ	2815-930-5967	SEAT, VALVE: INTAKE, STD 10935209 (19207)	EA	6	*	*	*	*	*	*	*	*	7	11
PAHZZ	2815-930-8761	SEAT, VALVE: INTAKE, 0.010 IN. OVERSIZE 10935209-1 (19207)	EA	6	*	*	*	*	*	*	*	*	7	11
PAHZZ	2815-930-5968	SEAT, VALVE: (U/W HEAD 10899037) 10889834 (19207)	EA	6	*	*	*	*	*	*	*	*	7	11
PAFZZ	2815-111-5158	VALVE, POPPET, ENGINE: INTAKE 10935205 (19207)	EA	6	*	*	*	*	*	*	*	*	7	12
PAFZZ	2815-808-7377	VALVE, POPPET, ENGINE: EXHAUST 11621838 (19207)	EA	6	*	*	*	*	*	*	*	*	7	13
PAHZZ	2815-782-1308	TAPPET, ENGINE POPPET VALVE 11610264 (19207)	EA	12	*	*	*	*	*	*	*	*	7	14
PAFZZ	2815-899-8336	PUSH ROD, ENGINE POPPET VALVE 10889833 (19207)	EA	12	*	*	*	*	*	*	*	*	7	15
PAFZZ	2815-882-8822	SPRING, HELICAL, COMPRESSION: ROCKER ARM THRUST 10912377 (19207)	EA	4	*	*	*	*	*	*	*	*	7	16
PAFZZ	2805-741-5300	LOCK, VALVE SPRING RETAINING: INTAKE AND EXHAUST 7415300 (19207)	EA	24	*	*	*	*	*	*	*	*	7	17
PAHZZ	2815-930-5436	SEAT, HELICAL COMPRESSION: VALVE SPRING, INTAKE AND EXHAUST 11609964 (19207)	EA	12	*	*	*	*	*	*	*	*	7	18
PAHZZ	2815-848-8398	SPRING, HELICAL, COMPRESSION: INNER VALVE, INTAKE AND EXHASUT 10889828 (19207)	EA	12	*	*	*	*	*	*	*	*	7	19



Current part is item (7) on diagram. Available at www.oshkoshequipment.com

Current part is item (7) on diagram. Available at www.oshkoshequipment.com

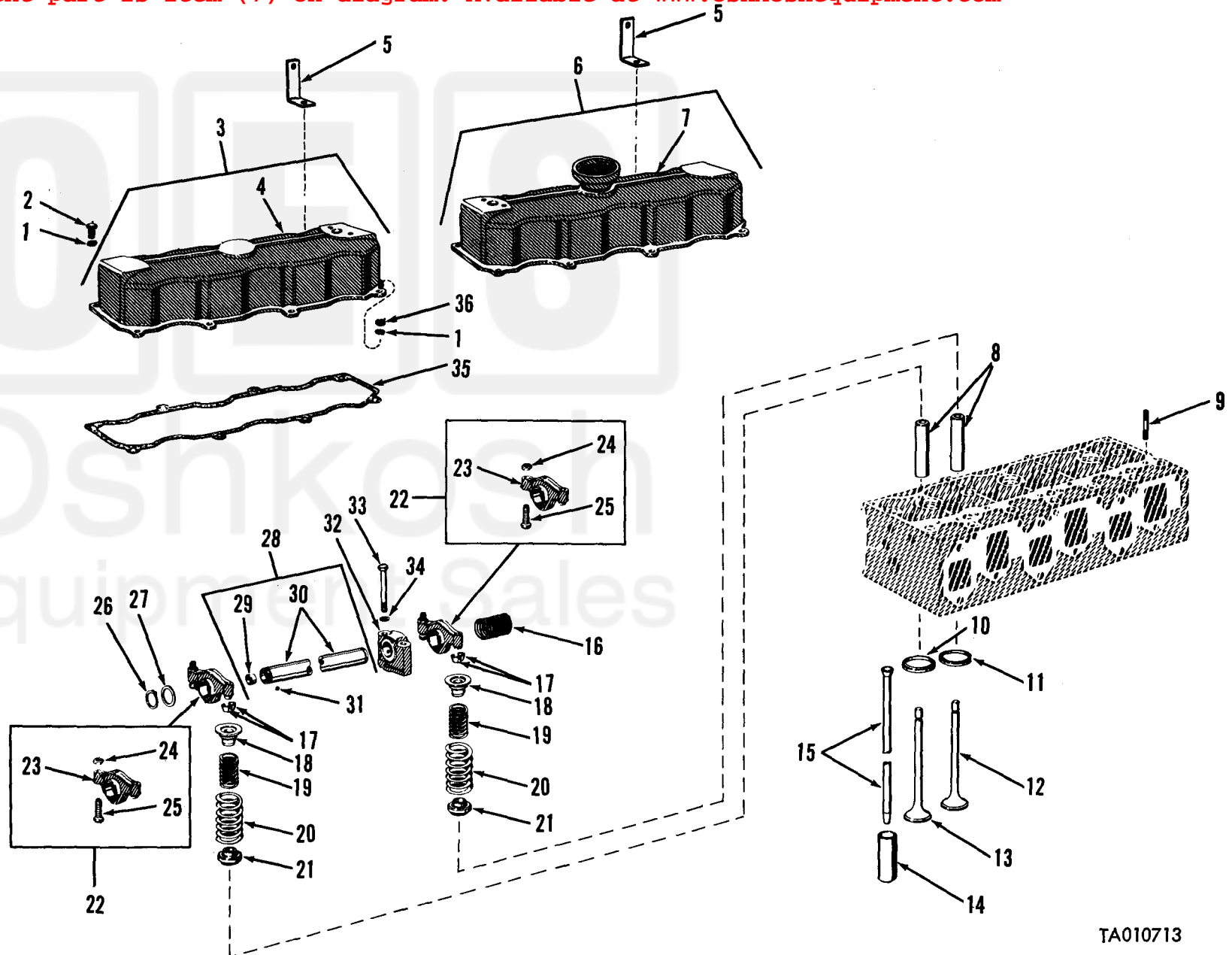


Figure 7. Cylinder Head Covers, Valves and Associated Parts.

Current part is item (7) on diagram. Available at www.oshkoshequipment.com

TA010713